

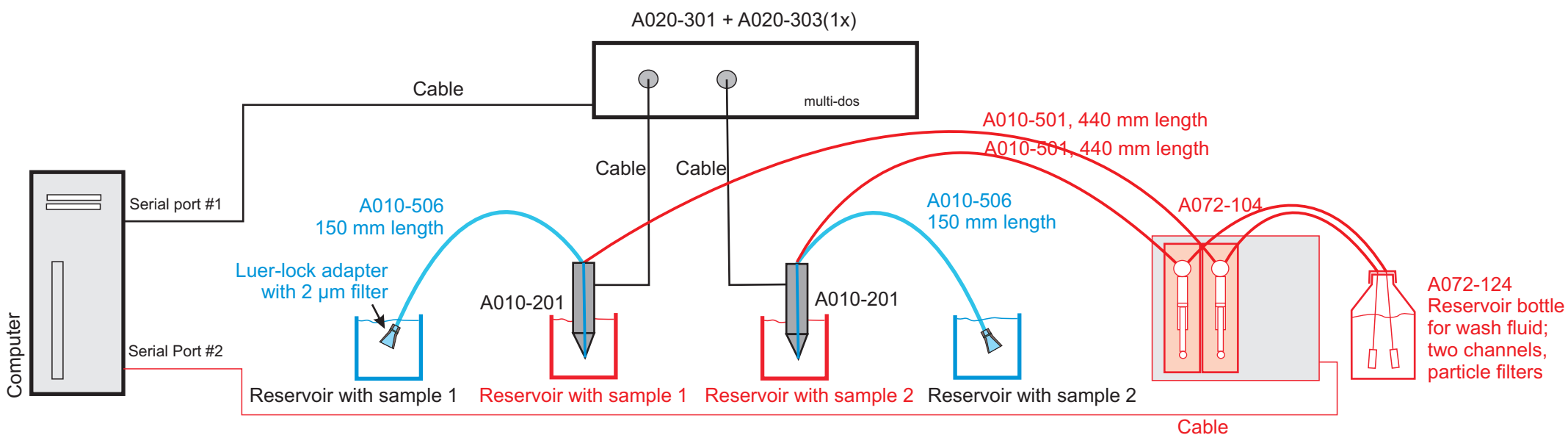
Setup of piezoelectric dispensers and multi-dos

This scheme is for A010-201/A010-002 - dispensers with bent steel capillary;
 Two-channel multi-dos

Black components: Always required

Blue components: Basic version for manual filling

Red components: Alternative (enhanced) version with motor driven syringe unit for automatic sample aspiration and rinsing



Please note:

The multi-dos control unit comes with Windows based software and Application Programming Interface (API). The multi-dos software does not support a syringe unit.

The syringe unit comes with a simple operation software and API. It requires an additional serial port on the computer. Computer is not included.